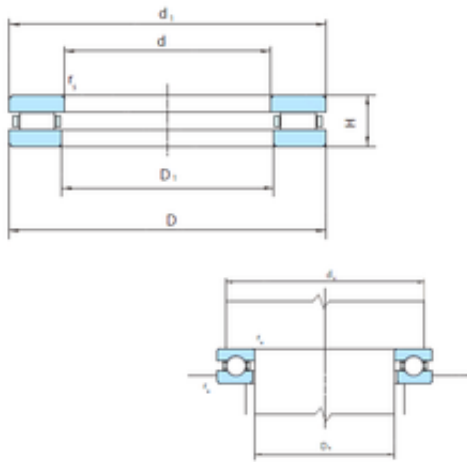


## PSL 81260 thrust roller bearings

Bearing No. 81260



81260 Bearing 2D drawings and 3D CAD models

Size	300x420x95 mm
Bore Diameter	300 mm
Outer Diameter	420 mm
Width	95 mm
d	300 mm
D	420 mm
H	95 mm
d1	420 mm
r min.	3 mm
D1	304 mm
Weight	44,7 Kg
Basic dynamic load rating (C)	1548 kN
Basic static load rating (C0)	7173 kN