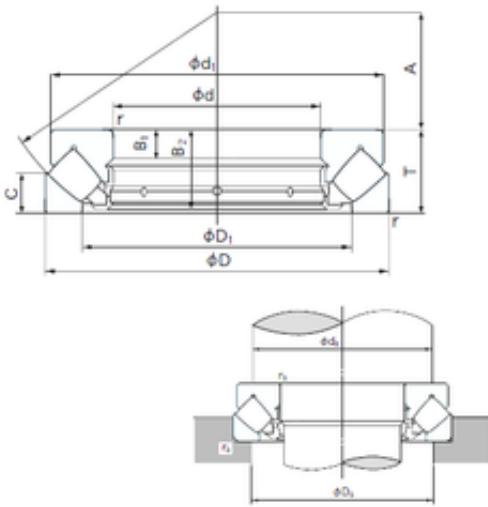




# NTN DRIVESHAFT ANDERIU, INC.

## 150 mm x 250 mm x 20 mm NACHI 29330E thrust roller bearings

Bearing No. 29330E



29330E Bearing 2D drawings and 3D CAD models

Size	150x250x60 mm
Bore Diameter	150 mm
Outer Diameter	250 mm
Width	60 mm
d	150 mm
D	250 mm
T	60 mm
d1	240 mm
r min.	2.1 mm
A	87 mm
B1	20 mm
B2	57 mm
C	29 mm
D1	194 mm
da min.	195 mm
Da max.	215 mm
ra max.	2 mm
Weight	11.7 Kg
Basic dynamic load rating (C)	735 kN
Basic static load rating (C0)	2840 kN
Bore Type	Cylindrical Bore
Enclosure	Open
Configuration	Single Row
Bore Size	150 mm
Outside Diameter	250 mm



## NTN DRIVESHAFT ANDERLU, INC.

Fillet Radius/Chamfer	2.1 mm
Width	60 mm
Dynamic Load Rating	735,000 N
Static Load Rating	2,840,000 N
Limiting Speed - Oil	1,600 rpm
B	20 mm
da (min)	195 mm
Da (max)	215 mm
ra (max)	2 mm