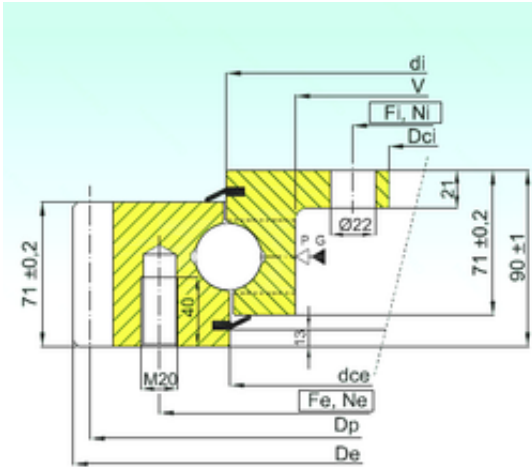




NTN DRIVESHAFT ANDERLU, INC.



EBL.30.1355.201-2STPN Bearing 2D drawings and 3D CAD models

ISB EBL.30.1355.201-2STPN thrust ball bearings

Bearing No. EBL.30.1355.201-2STPN

Size	1207x1498x90 mm
Bore Diameter	1207 mm
Outer Diameter	1498 mm
Width	90 mm
d	1207 mm
D	1498 mm
H	90 mm
V	1293 mm
Z	148 mm
m	10 mm
di	1356,5 mm
Dp	1480 mm
De	1498 mm
Fe	1416 mm
Ne	42 mm
Fi	1245 mm
Ni	42 mm
Dci	1207 mm
dce	1355 mm