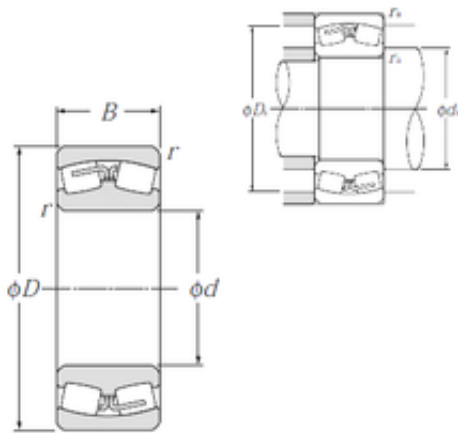




NTN DRIVESHAFT ANDERIU, INC.

850 mm x 1 220 mm x 272 mm NTN 230/850B spherical roller bearings



Bearing No. 230/850B

Size	850x1220x272 mm
Bore Diameter	850 mm
Outer Diameter	1220 mm
Width	272 mm
d	850 mm
D	1 220 mm
B	272 mm
C	272 mm
r min.	7,5 mm
da min.	886 mm
Da max.	1 184 mm
ra max.	6 mm
Weight	1 050 Kg
Basic dynamic load rating (C)	9 750 kN
Basic static load rating (C0)	22 700 kN
(Grease) Lubrication Speed	210 r/min
(Oil) Lubrication Speed	270 r/min
Calculation factor (e)	0,2
Calculation factor (Y0)	3,25
Calculation factor (Y1)	3,32

230/850B Bearing 2D drawings and 3D CAD models