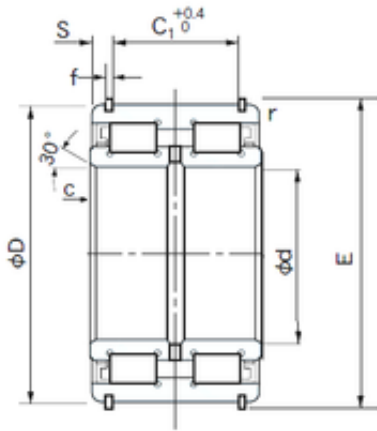




NTN DRIVESHAFT ANDERIU, INC.

130 mm x 200 mm x 95 mm NACHI E5026NR cylindrical roller bearings



Bearing No. E5026NR

Size	130x200x95 mm
Bore Diameter	130 mm
Outer Diameter	200 mm
Width	95 mm
d	130 mm
D	200 mm
B	95 mm
C	94 mm
c	3 mm
f	3.05 mm
r min.	1 mm
C1	76.9 mm
E	215.6 mm
S	8.55 mm
Weight	10.5 Kg
Basic dynamic load rating (C)	535 kN
Basic static load rating (C0)	1000 kN

E5026NR Bearing 2D drawings and 3D CAD models