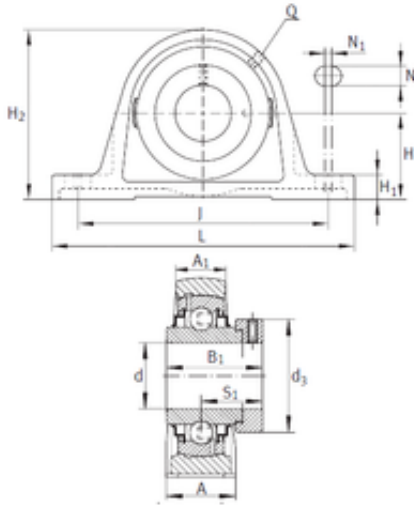




# NTN DRIVESHAFT ANDERLU, INC.



## INA RAK1-3/4 bearing units

Bearing No. RAK1-3/4

Bore Diameter	44,45 mm
d	44,45 mm
S1	35,103 mm
Thread (Q)	1/8 NPT
d3	62,992 mm
A	51,512 mm
A1	35,002 mm
B	56,49 mm
H	52,401 mm
H1	20,397 mm
H2	105,41 mm
J	148,489 mm
L	194,996 mm
N	14,301 mm
N1	11,989 mm
Category	Pillow Block Bearings
Inventory	0.0
Manufacturer Name	SCHAEFFLER GROUP
Minimum Buy Quantity	N/A
Weight / Kilogram	2.4
Product Group	M06110
Number of Mounting Holes	2
Mounting Method	Eccentric Collar
Housing Style	2 Bolt Pillow Block
Rolling Element	Ball Bearing
Housing Material	Cast Iron

RAK1-3/4 Bearing 2D drawings and 3D CAD models



## NTN DRIVESHAFT ANDERIU, INC.

Expansion / Non-expansion	Non-expansion
Relubricatable	Yes
Insert Part Number	G1112KRRB
Seals	Double Land Riding Rubber Contact
Housing Configuration	1 Piece Solid
Inch - Metric	Inch
Other Features	Single Row   Low Base   With Set Screw
Long Description	2 Bolt Pillow Block; 1-3/4" Bore; 2-1/16" Base to Center Height; Eccentric Collar Mount; Ball Bearing; 5-3/8" Minimum Bolt Spacing; 6.319" Bolt Spacing Maximum; Relubricatable; Cas
Category	Pillow Block
UNSPSC	31171511
Harmonized Tariff Code	8483.20.40.40
Noun	Bearing
Keyword String	Pillow Block
Manufacturer URL	<a href="http://www.ina.com">http://www.ina.com</a>
Manufacturer Item Number	RAK1-3/4
Weight / LBS	5.292
Actual Bolt Center to Center	0 Inch   0Millimeter
Bolt Spacing Maximum	6.319 Inch   160.5Millimeter
Bolt Spacing Minimum	5.374 Inch   136.5Millimeter
Length Thru Bore	2.217 Inch   56.3 Millimeter
Bore	1.75 Inch   44.45 Millimeter
Base to Center Height	2.063 Inch   52.4 Millimeter
Nominal Bolt Center to Center	5.8 Inch   146.5 Millimeter